

SUMMER 2023

www.basgfx.com

Copyright 2023. All Rights Reserved.



PG 1	COVER
PG 2	TABLE OF CONTENTS
PG 3-4	CHILLERS
PG 5-7	AHU STANDARD
PG 8-9	SS STANDARD
PG 10	SS AAON V3CF
PG 11	WSHP STANDARD/VERTICAL
PG 12	FCU STANDARD
PG 13	FCU - SMALL CEILING
PG 14	SWP - Standalone Water Sourced Plenum Units
PG 15	CUSTOM AHU GALLERY
PG 16-24	ROOF TOP UNITS
PG 25-27	TERMINAL UNITS
PG 28-30	EXHAUST FAN LIBRARY



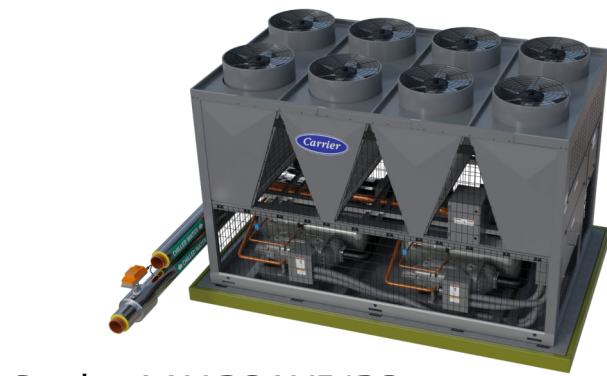
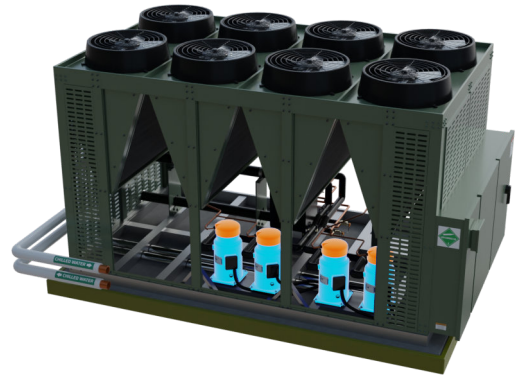
Trane CGAM 80



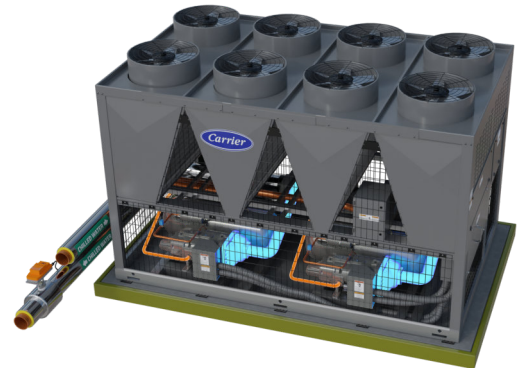
Trane CGAM 80 and 120 are bundled together

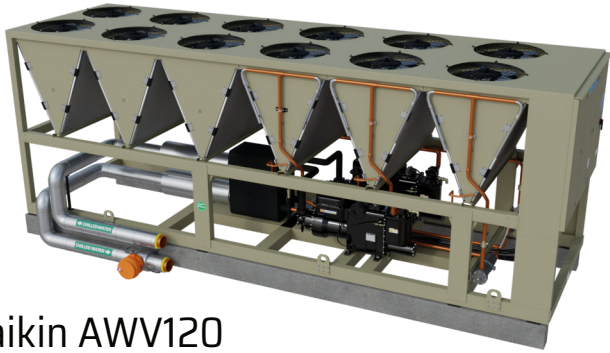


Trane CGAM 120

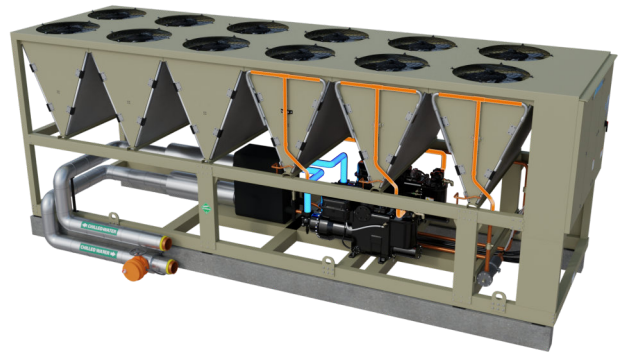


Carrier AAX 30AXB120





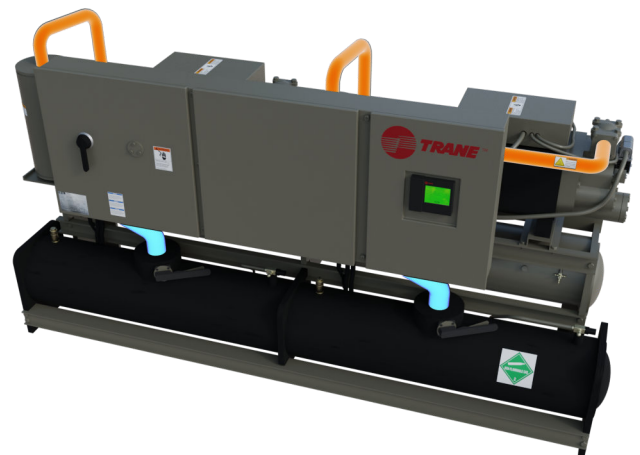
Daikin AWW120



D&B WCFX-E



Trane RTWD





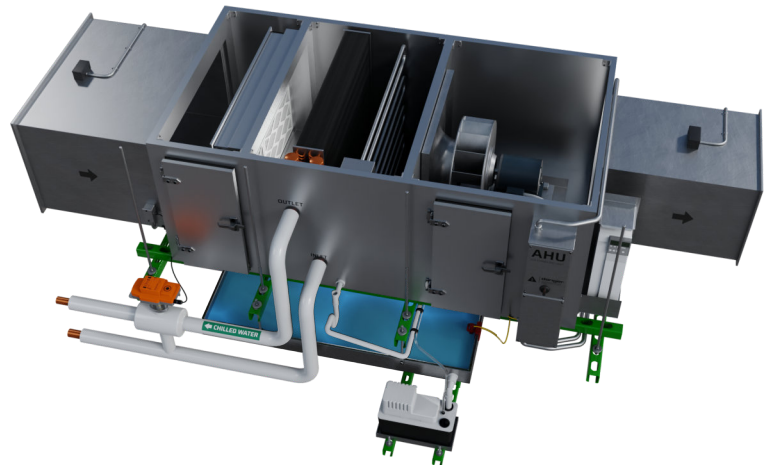
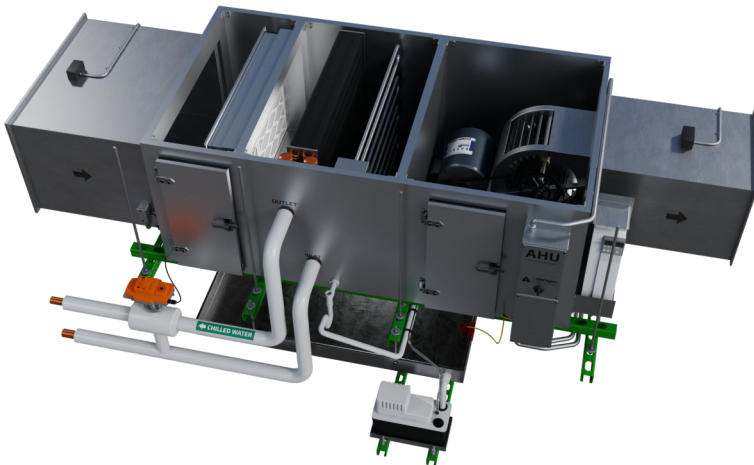
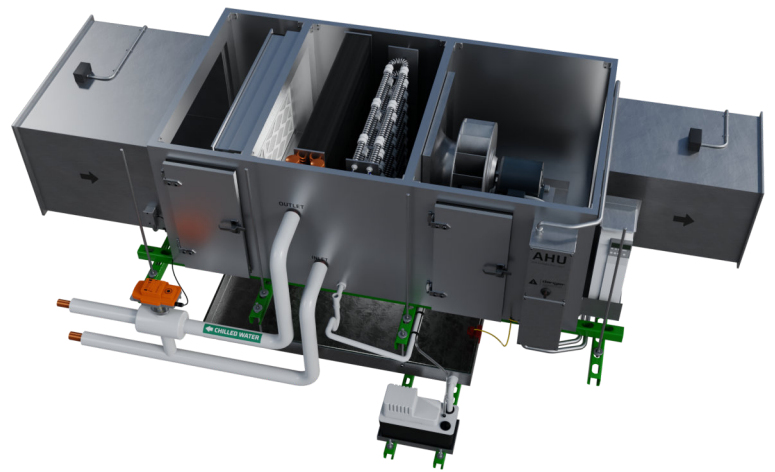
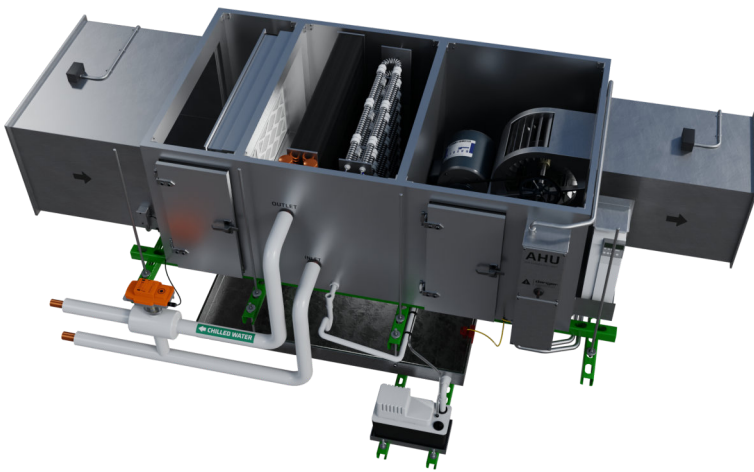
BASGFX

STANDALONE AIR HANDLERS

AHU - Standard

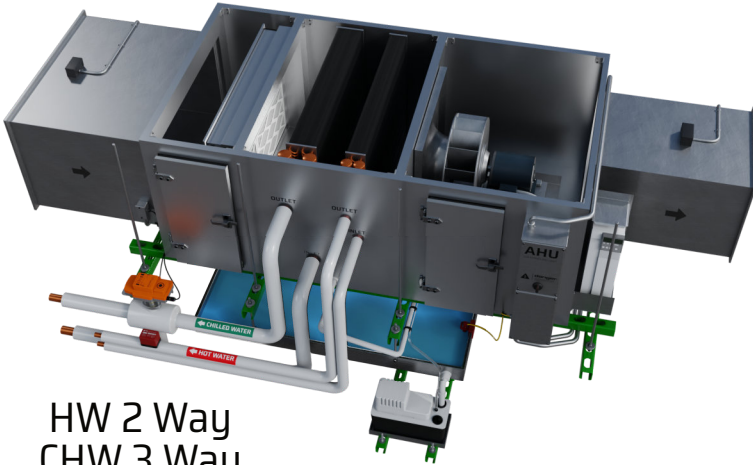
A complete, modular AHU for all your needs. The following images show all the default configurations we have created for your use.

The AHU-S also comes as an empty shell allowing you to add different fan configurations and types coils to fit most of your needs.

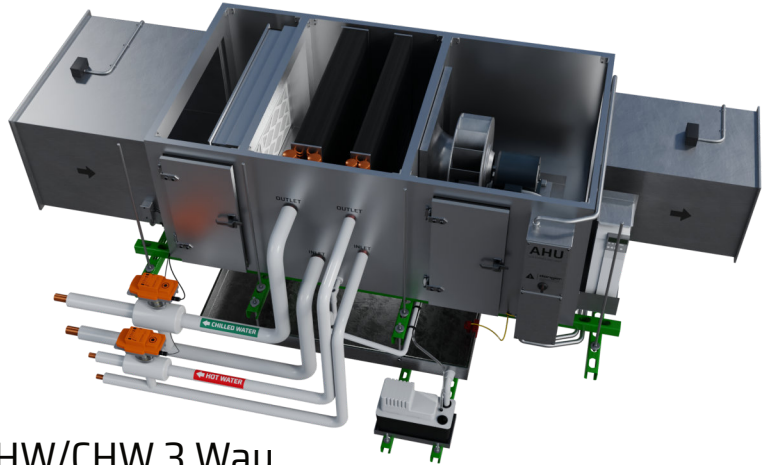




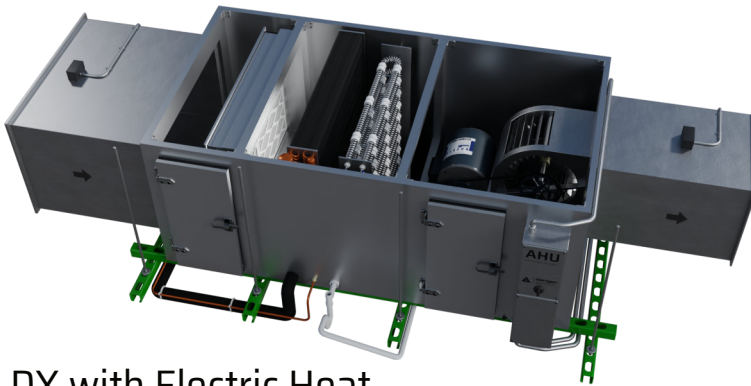
AHU - Standard



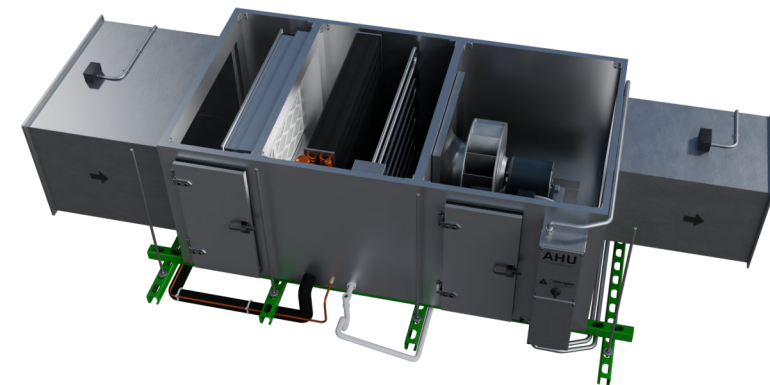
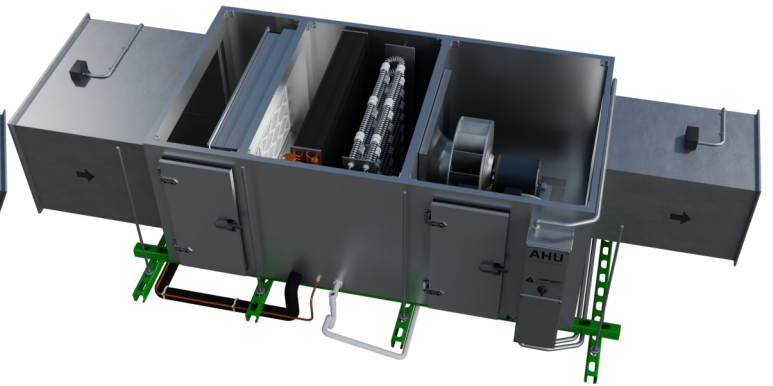
HW 2 Way
CHW 3 Way



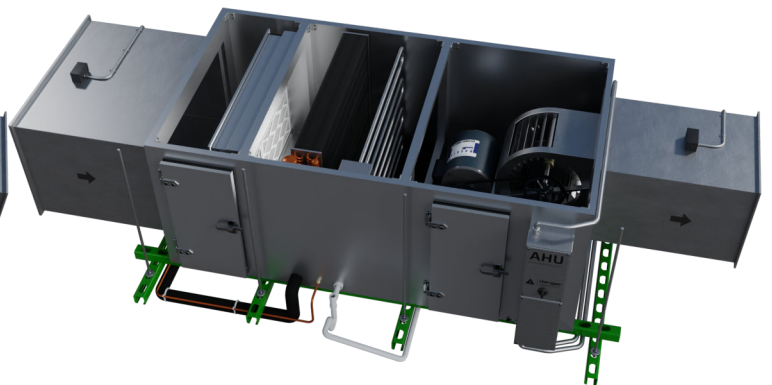
HW/CHW 3 Way



DX with Electric Heat



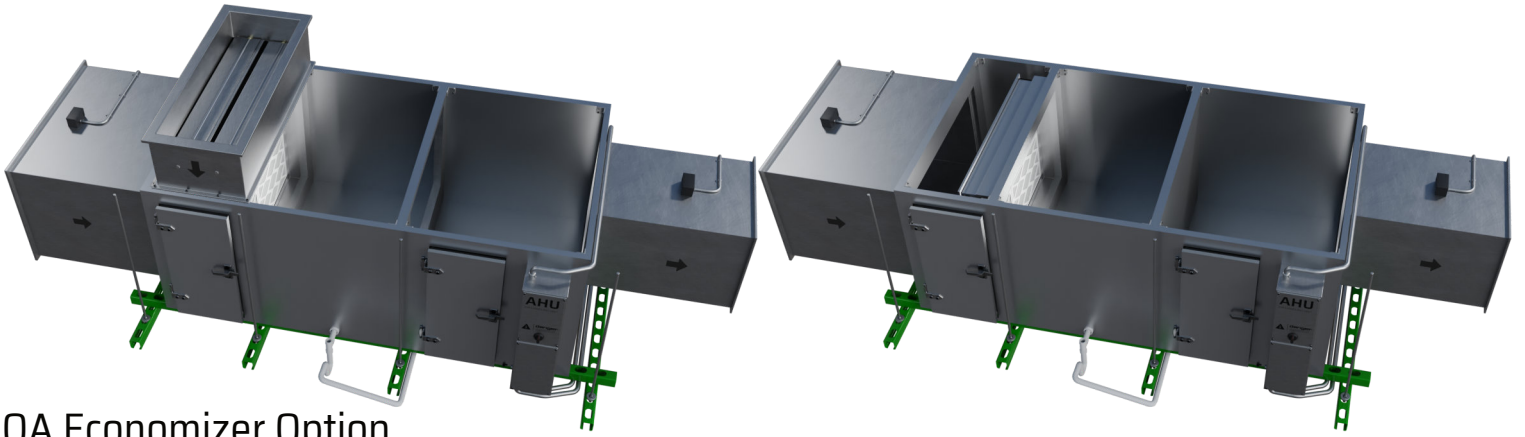
DX with SCR Electric Heat



With Standard Blower

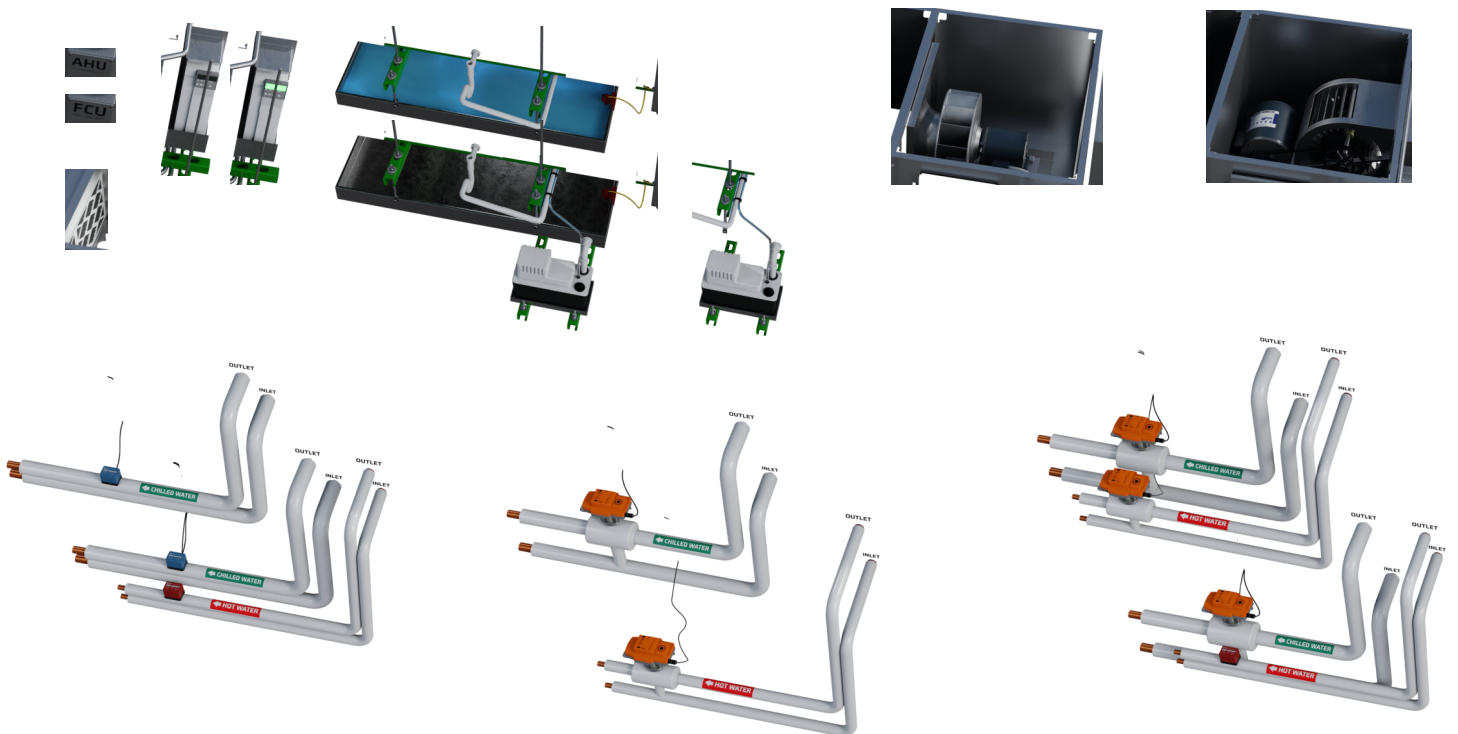


AHU - Standard



OA Economizer Option

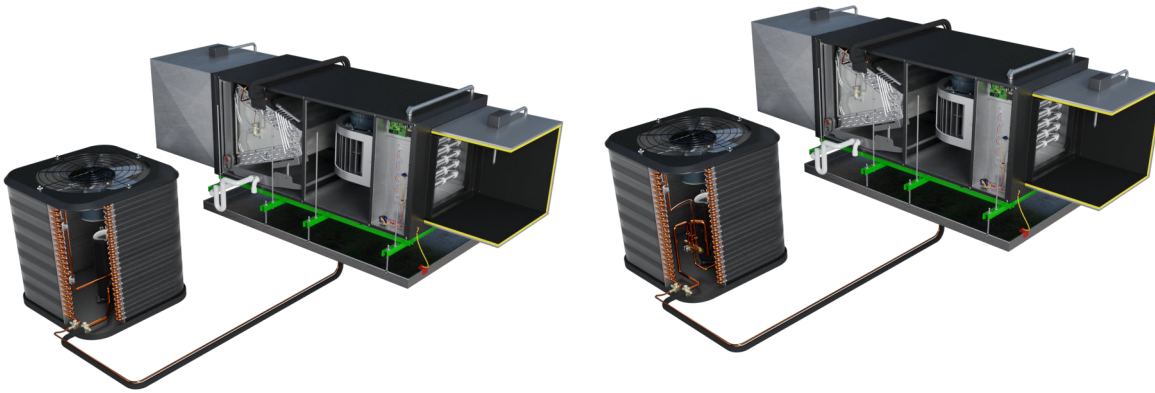
Misc Options



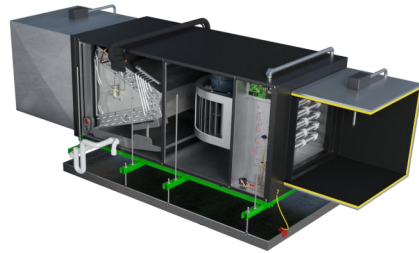


SS - Standard

A complete , Split system solution. Heap pump with electric heat or DX. Includes both horizontal and vertical orientations. Can be used with or without condensing unit. 0-100% states included for all evaporator coil and electric heat states.



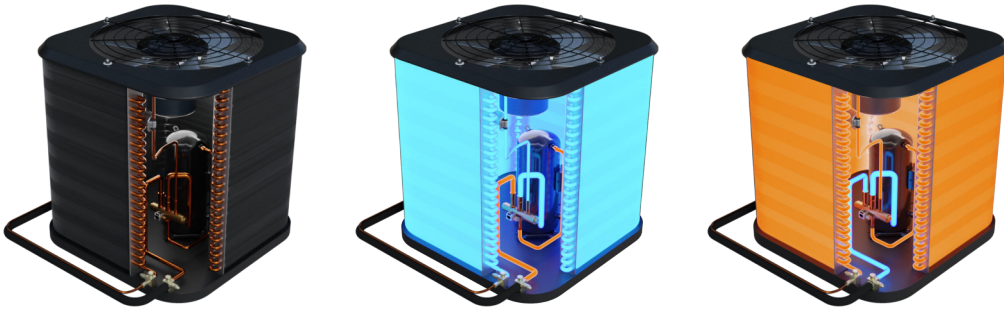
Horizontal



Vertical



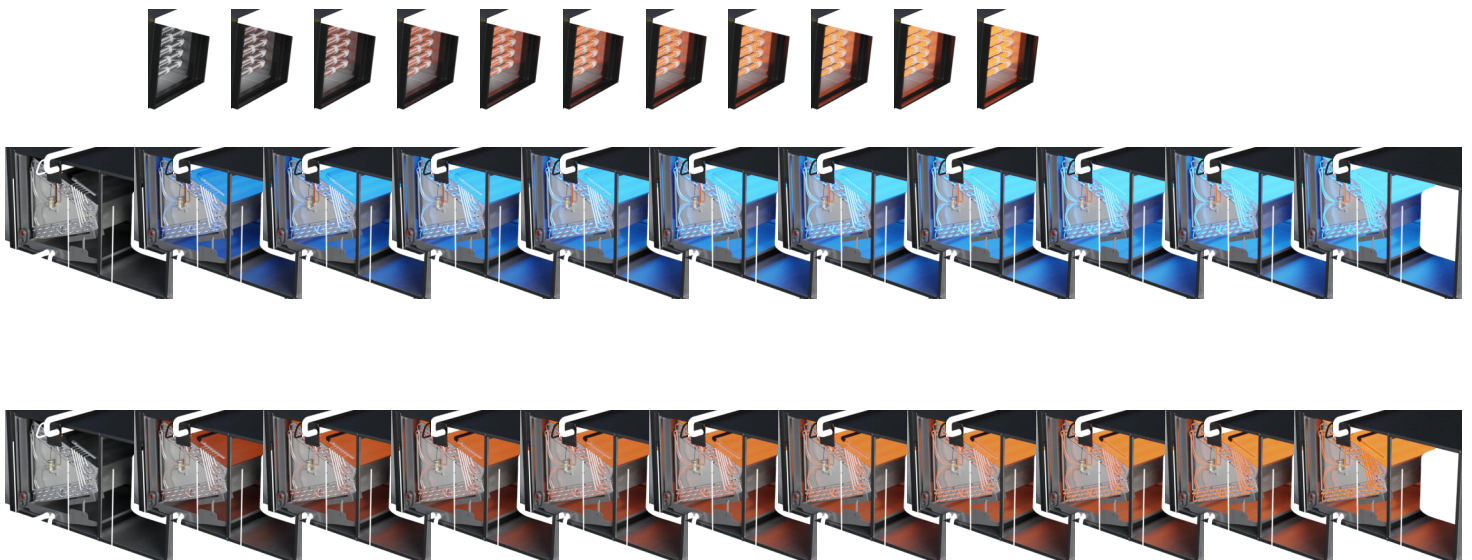
SS - Standard



Heat Pump Operations



DX Operation

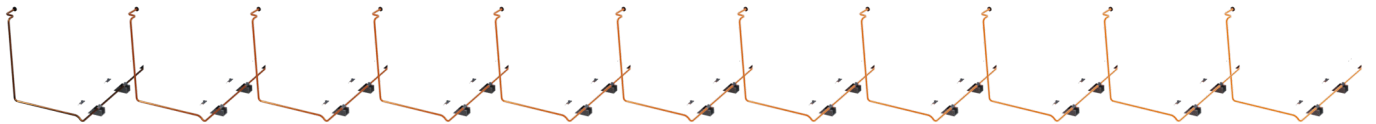




SS - AAON V3 + CF



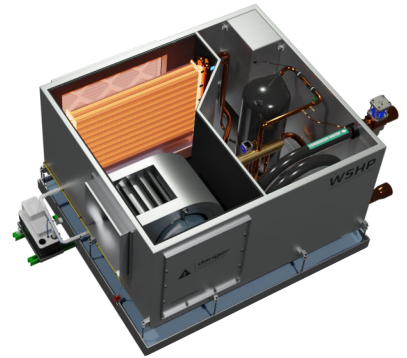
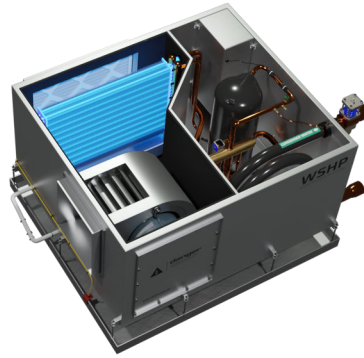
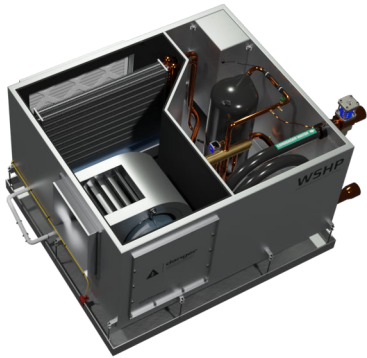
Line sets: Stage 1 + Stage 2 + Reheat



Reheat Line set 0-100%

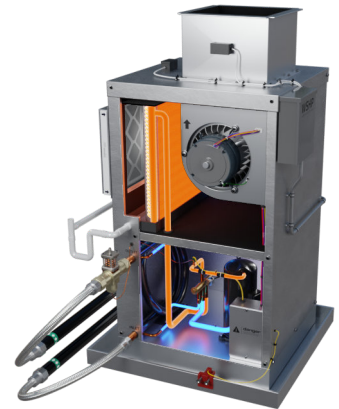
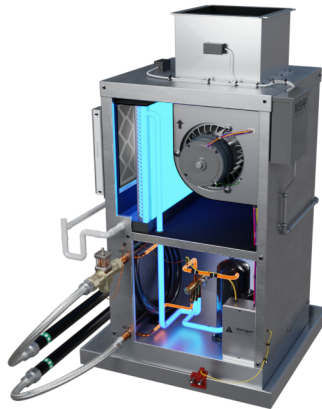


WSHP- Standard



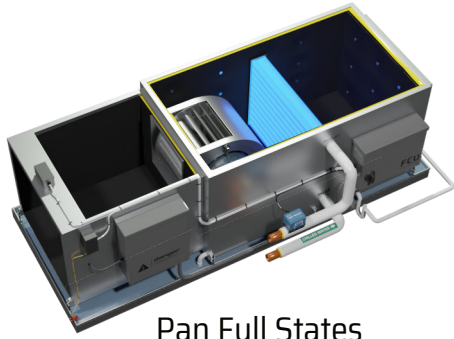
Full Pan + Optional Cond. Pump

WSHP- Vertical

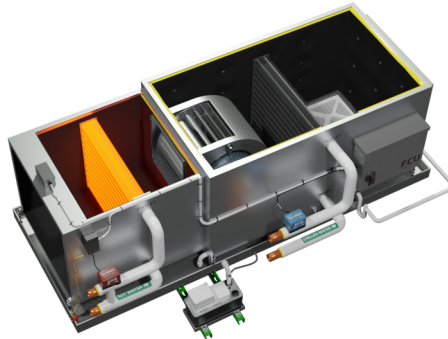




FCU- Standard

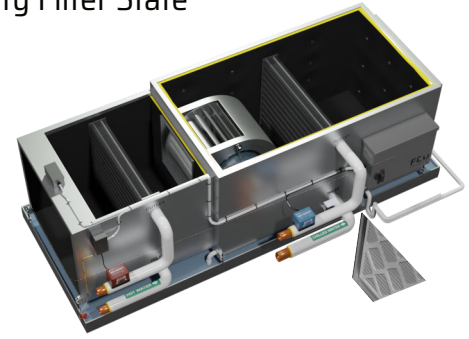


Pan Full States

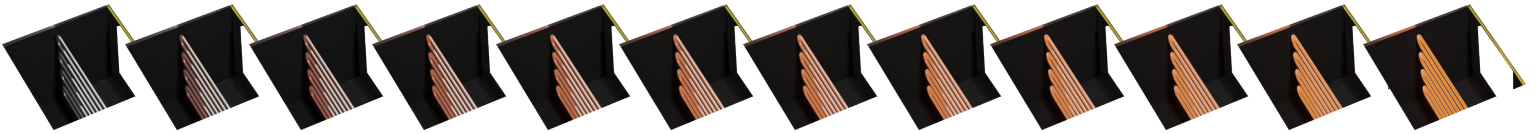


Optional 3 Way
CHW/HW Valves

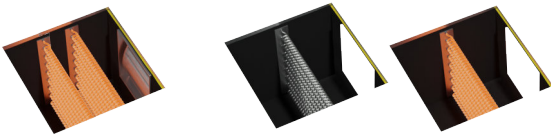
Vertical or Horizontal Intake
Dirty Filter State



Optional Cond.Pump



SCR Reheat. All heating or cooling options contain analog states



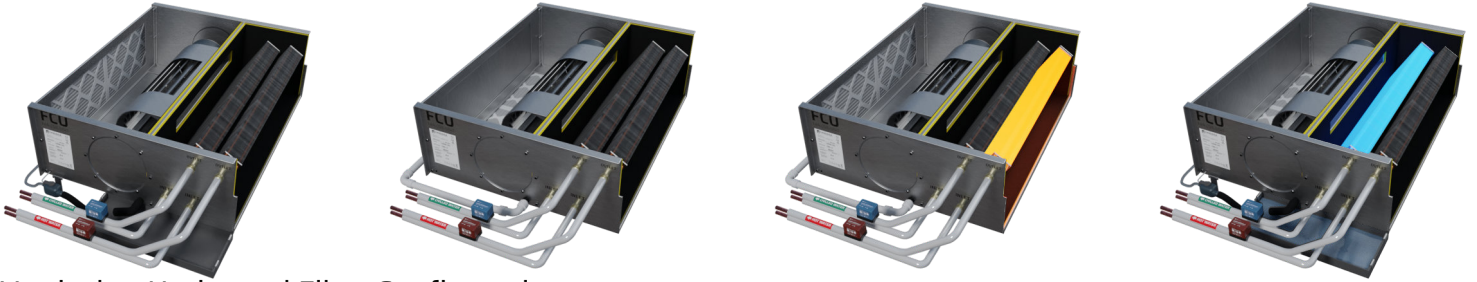
Up to 2 stage electric reheat.

FCU- Standard And FCU-Small Ceiling are bundled together

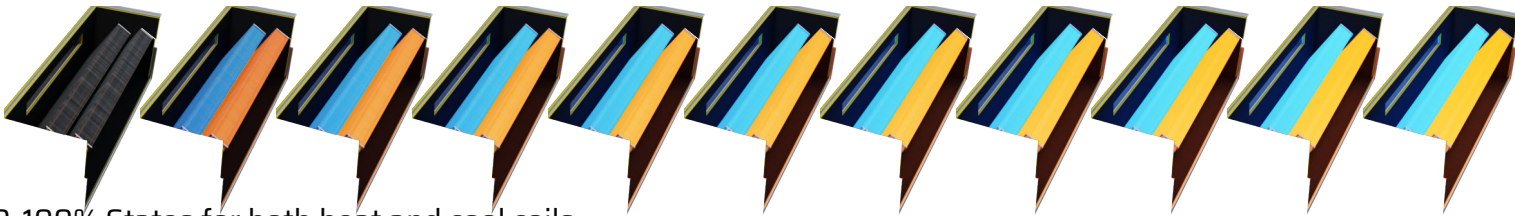
3 Different Image Sizes



FCU- Small Ceiling



Vertical or Horizontal Filter Configurations



0-100% States for both heat and cool coils



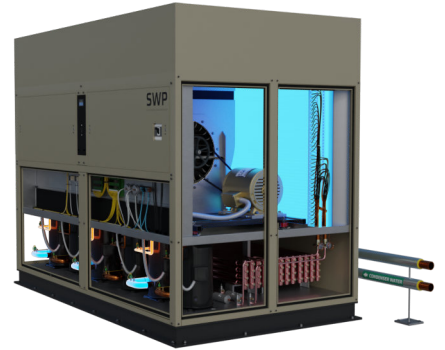
3 Different Image Sizes



Mcquay SWP 4



Mcquay SWP 6

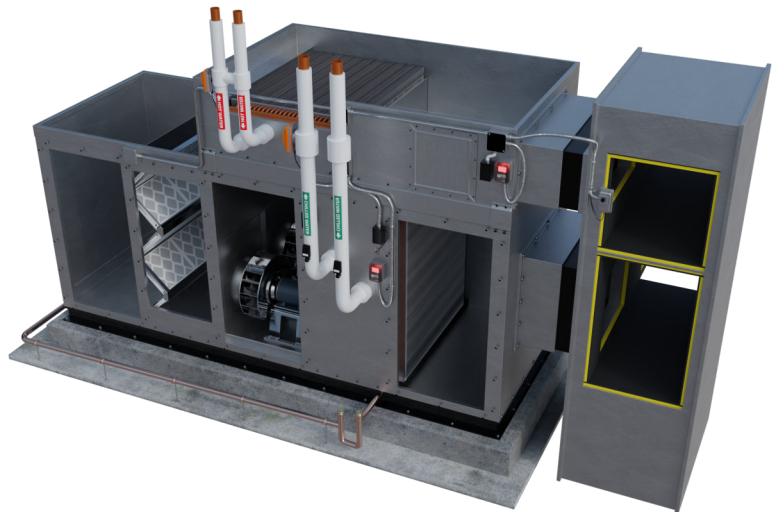
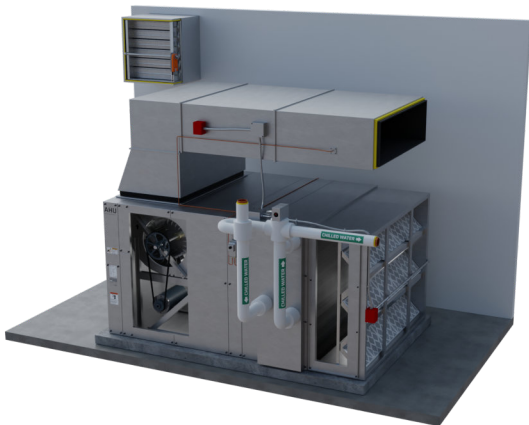
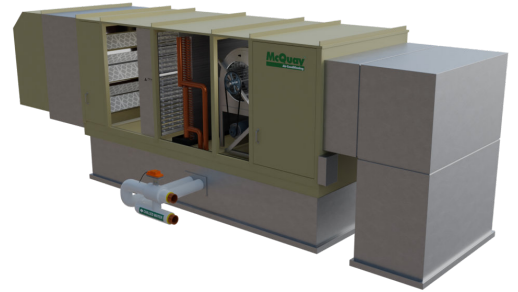


Standalone Water Sourced Plenum AHU

4 and 6 Compressor variants bundled together. Styled after the old microtech 1 and 2 systems.



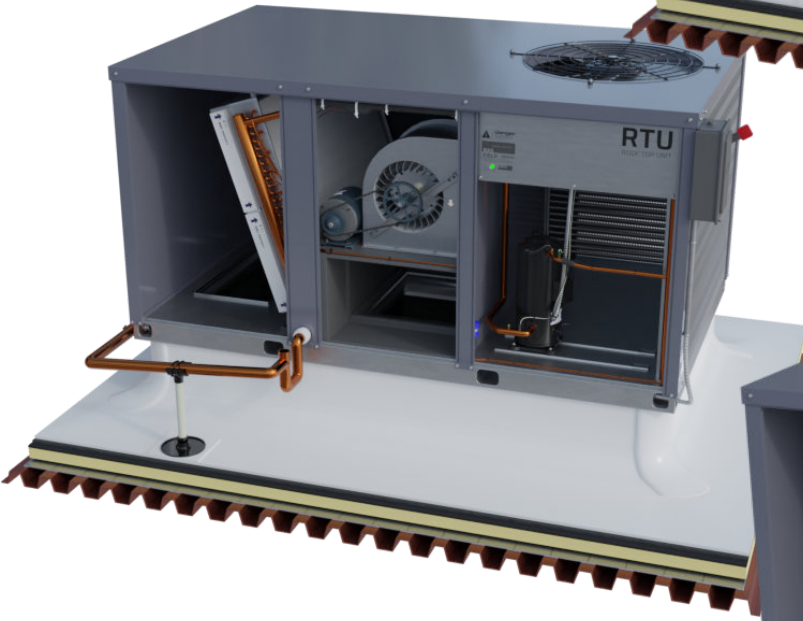
BASGFX | CUSTOM AHU GALLERY







BASGFX | RTU-S STANDARD



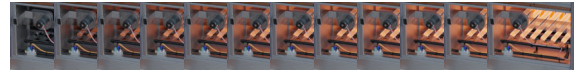


BASGFX | RTU-S STANDARD

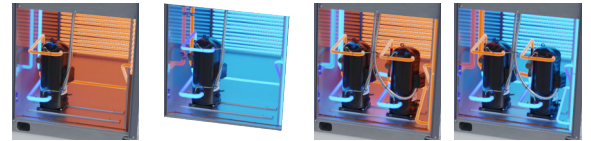
EXCEPTIONAL MASKING.
ALLOWS EFFECTS TO SHOW THROUGH CLEARLY



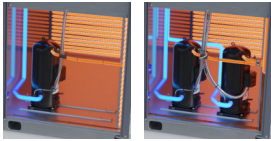
ALL HEAT STAGES HAVE ANALOG STATES
GAS HEAT SHOWN HERE



HIGH / LOW STAGES OF GAS HEAT
SINGLE STAGE ELECTRIC



1 OR 2 STAGE HEAT PUMP CONFIGURATION COOL/HEAT.



1 OR 2 STAGE DX COOLING

CONDENSER FAN MOTOR
ANIMATION

OPTIONAL ECONOMIZER
AND BAROMETRIC AIR DAMPER

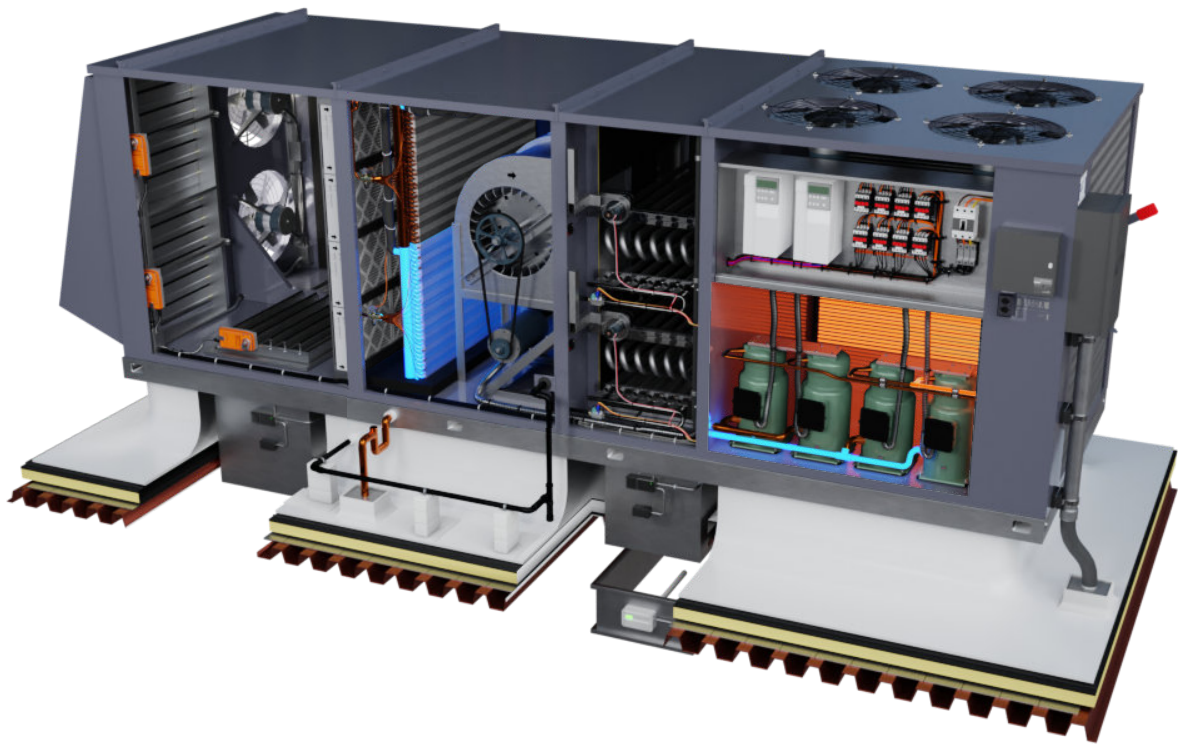
MULTIPLE PANEL
LED COLORS

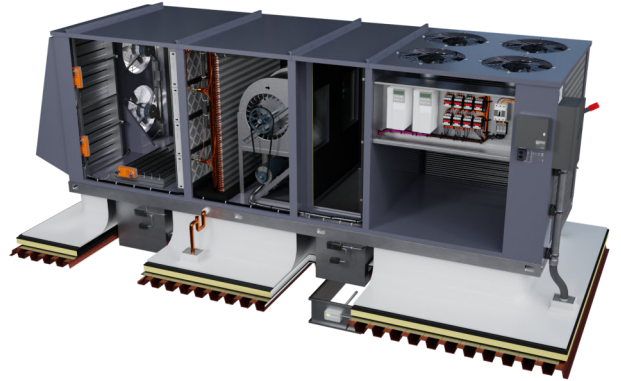
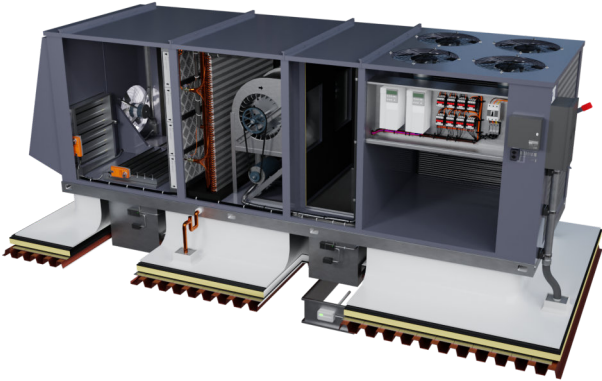
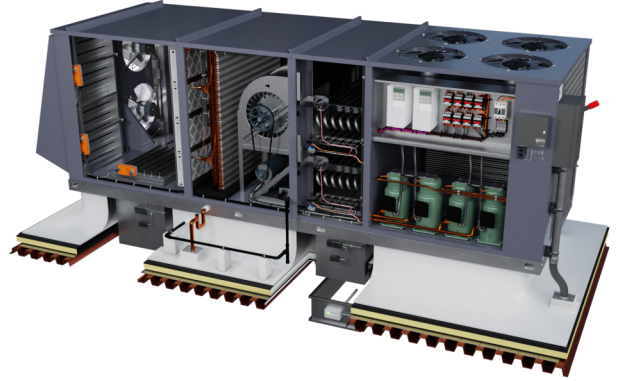
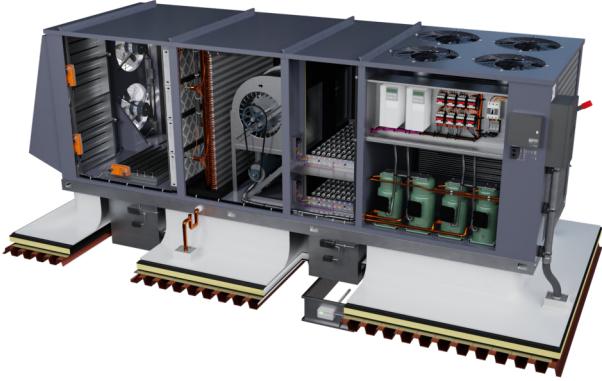


EVAP. COIL STATES

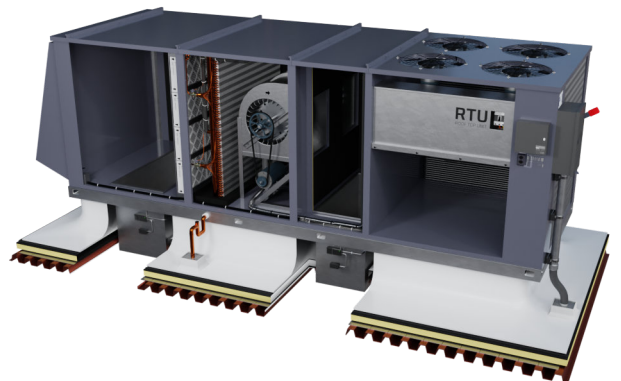
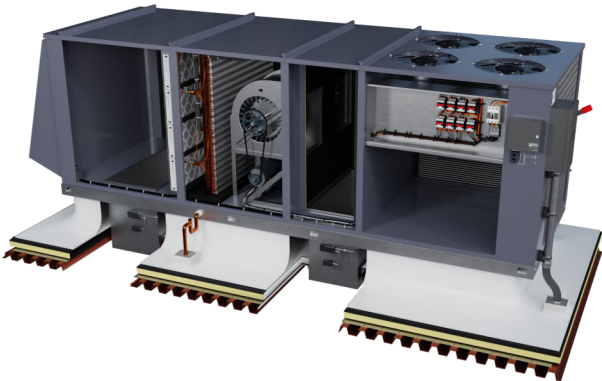
GAS OR ELECTRIC
HEAT UP TO 2 STAGES

1-2 OR REGULAR DX OR HEAT PUMP
OPERATION





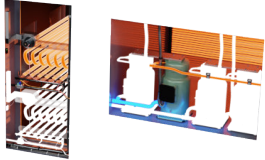
ACTUAL RENDERED SIZE





BASGFX | RTU-M MEDIUM

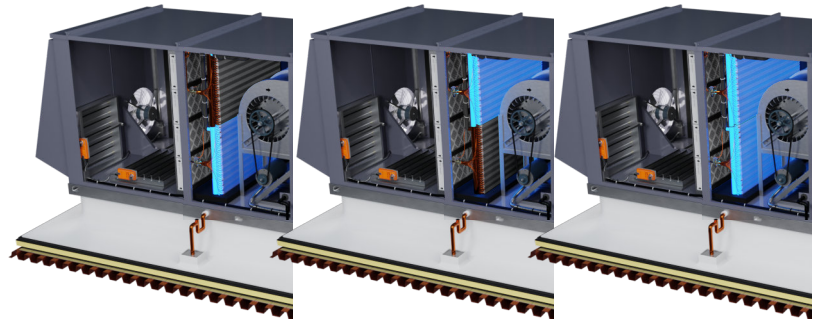
EXCEPTIONAL MASKING.
ALLOWS EFFECTS TO SHOW THROUGH CLEARLY



UP TO TWO STAGES OF GAS HEAT
HIGH / LOW FOR EACH STAGE!



ALL HEAT STAGES HAVE ANALOG STATES
SINGLE STAGE SHOWN HERE

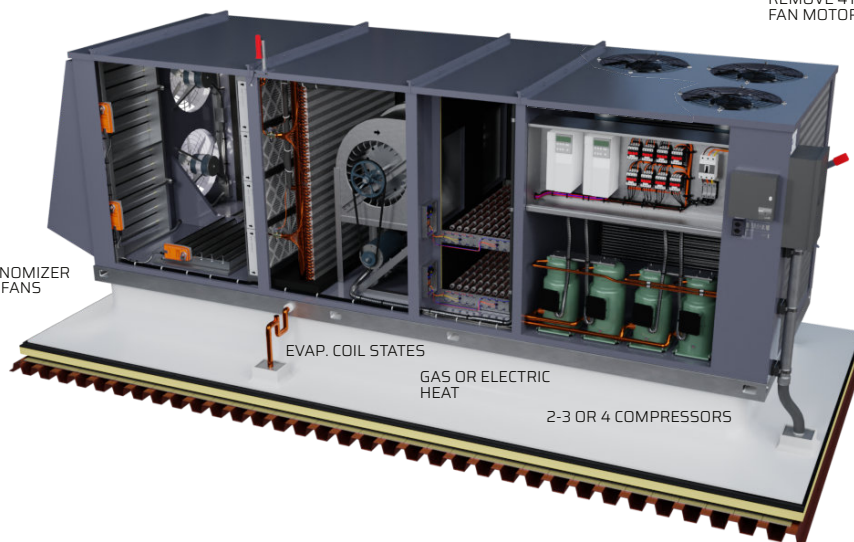


OPTIONAL RAIN BIRD
DIRTY FILTER STATE

REMOVE 4TH CONDENSER
FAN MOTOR

OPTIONAL ECONOMIZER
AND EXHAUST FANS

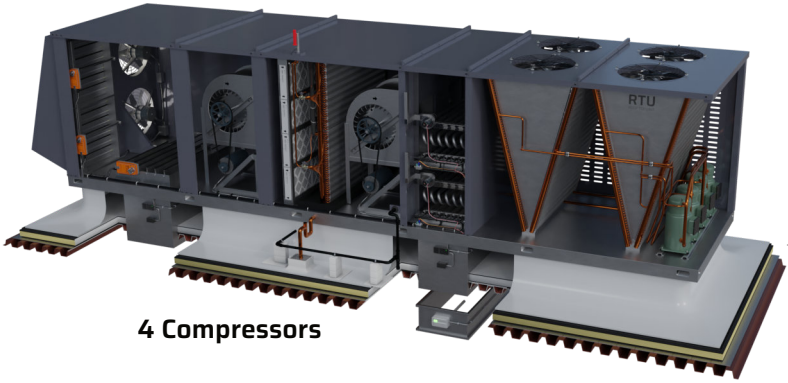
MULTIPLE PANEL
STATES



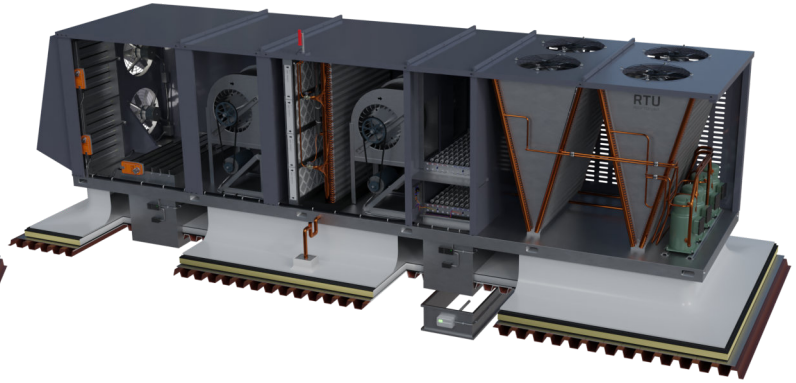
EVAP. COIL STATES

GAS OR ELECTRIC
HEAT

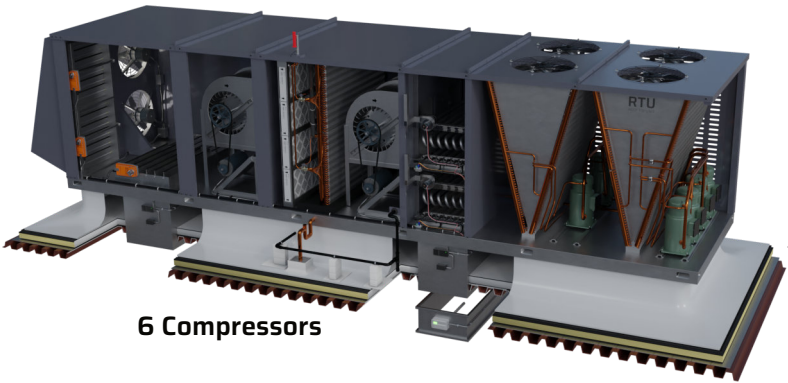
2-3 OR 4 COMPRESSORS



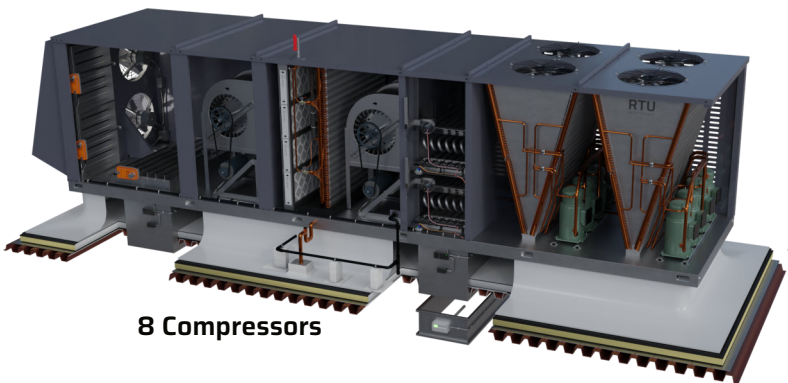
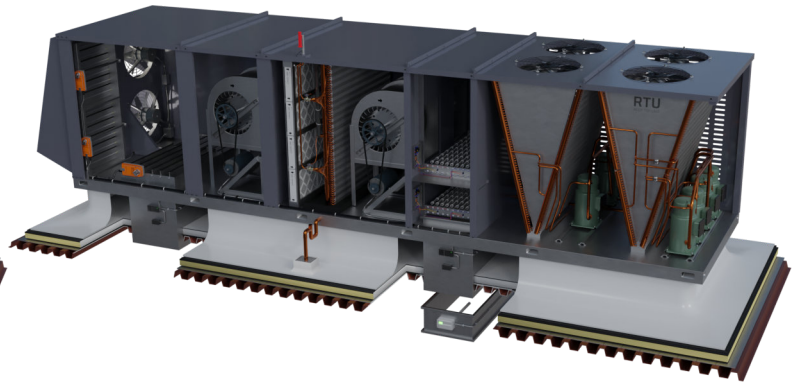
4 Compressors



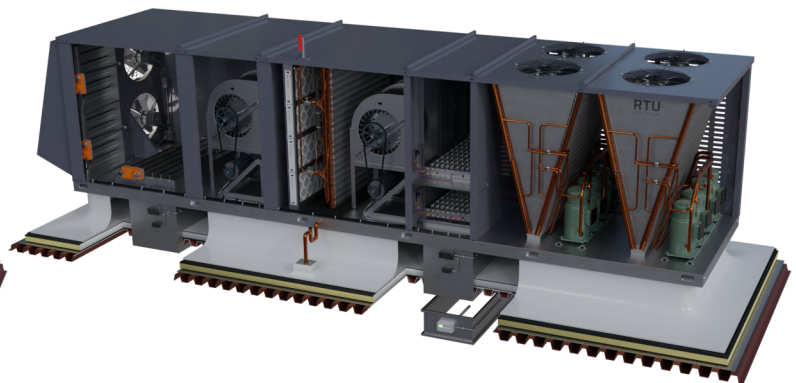
ACTUAL RENDERED SIZE



6 Compressors

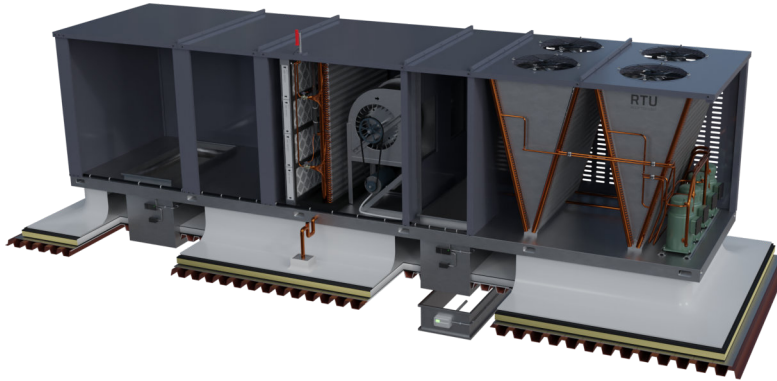


8 Compressors



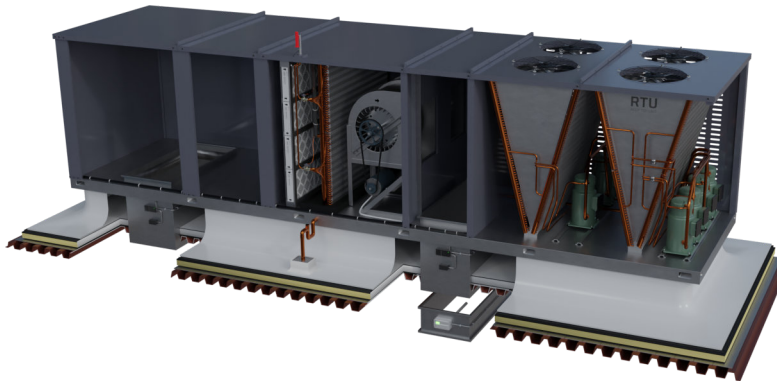


4 Compressors

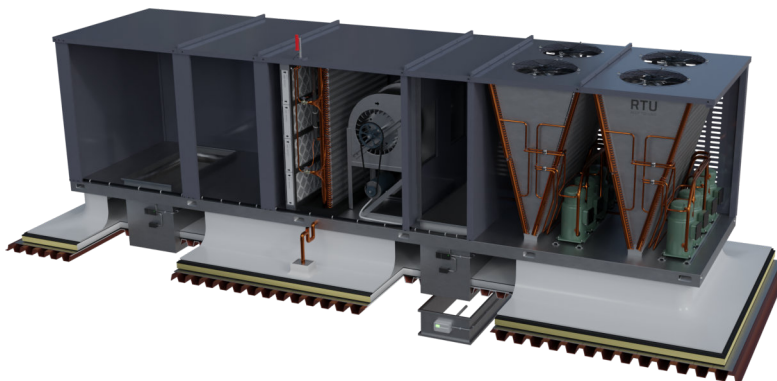


ACTUAL RENDERED SIZE

6 Compressors



8 Compressors





BASGFX | RTU-L LARGE

EXCEPTIONAL MASKING.
ALLOWS EFFECTS TO SHOW THROUGH CLEARLY



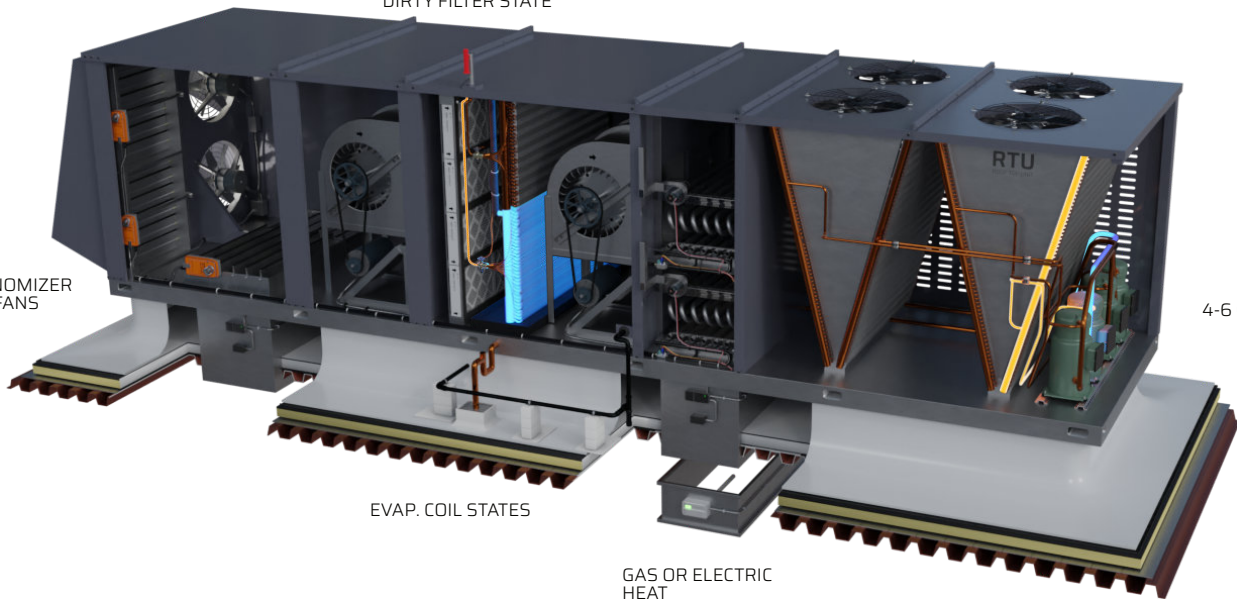
UP TO TWO STAGES OF GAS HEAT
OR ELECTRIC HEAT. ANALOG STATES INCLUDED

ALL HEAT STAGES HAVE ANALOG STATES
SINGLE STAGE SHOWN HERE



OPTIONAL RETURN FAN
DIRTY FILTER STATE

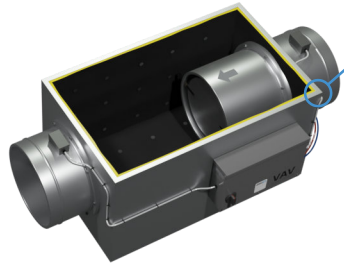
OPTIONAL ECONOMIZER
AND EXHAUST FANS



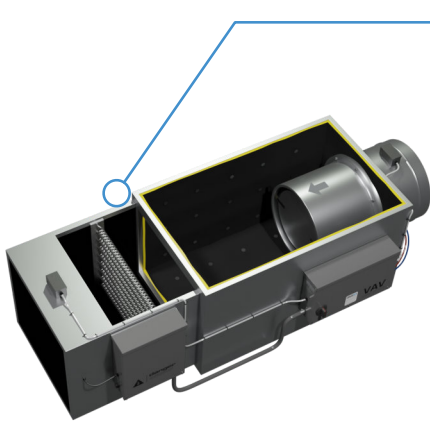
4-6 OR 8 COMPRESSORS

EVAP. COIL STATES

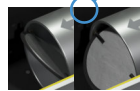
GAS OR ELECTRIC
HEAT



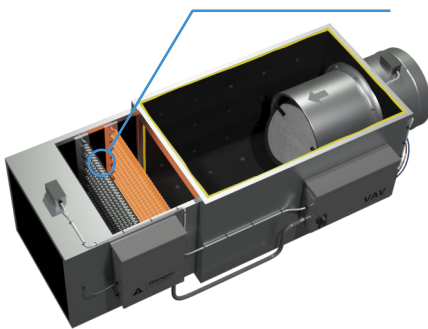
COOL ONLY CONFIGURATION



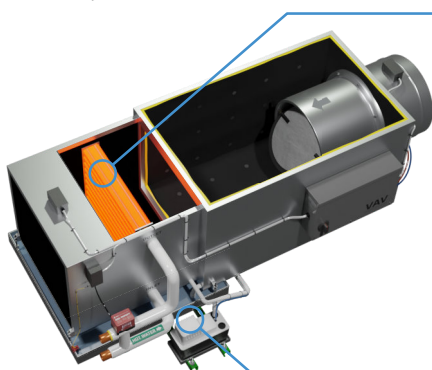
1 STAGE ELECTRIC REHEAT CONFIGURATION



CW OR CCW DAMPER STATES

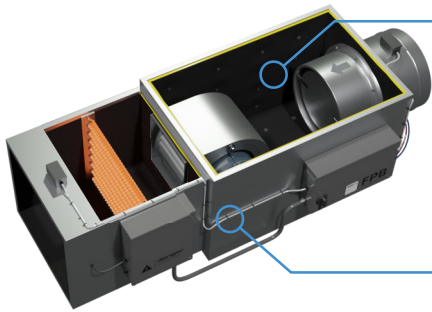


1 & 2 STAGE ELECTRIC REHEAT STATES +ANALOG
1 & 2 STAGES OF SCR HEAT



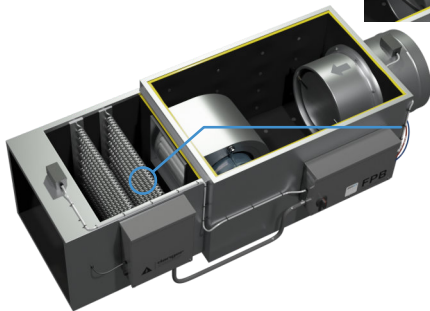
HOT WATER REHEAT CONFIGURATION

EMERGENCY PAN WATER STATE
CONDENSATE PUMP STATES



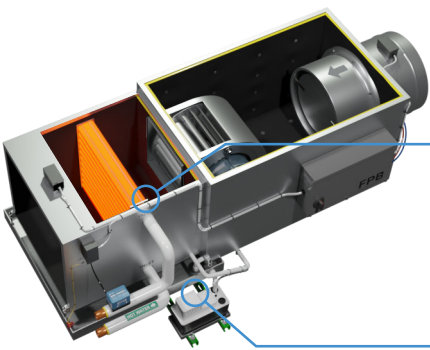
1 STAGE ELECTRIC HEAT CONFIGURATION

FAN ON & OFF STATES



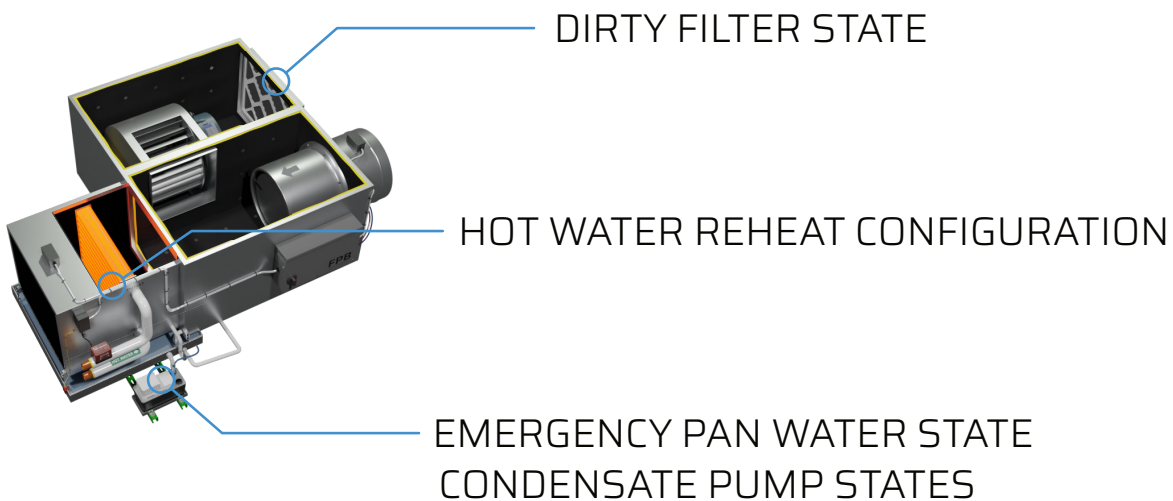
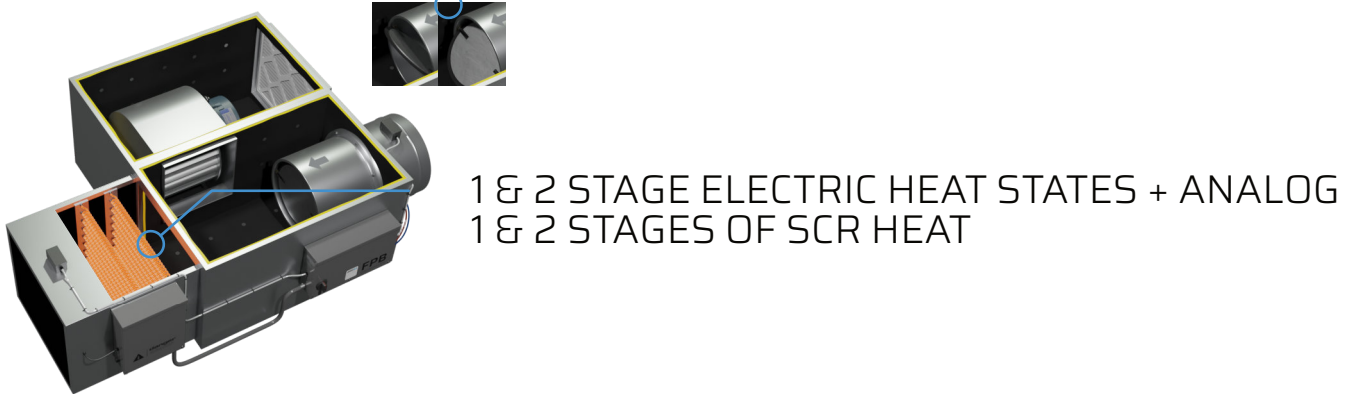
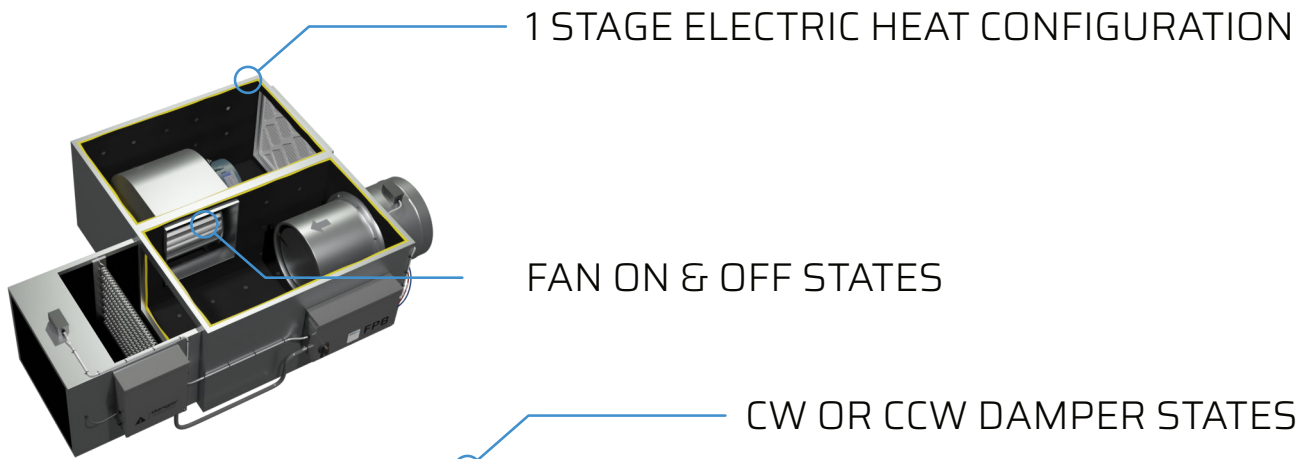
CW OR CCW DAMPER STATES

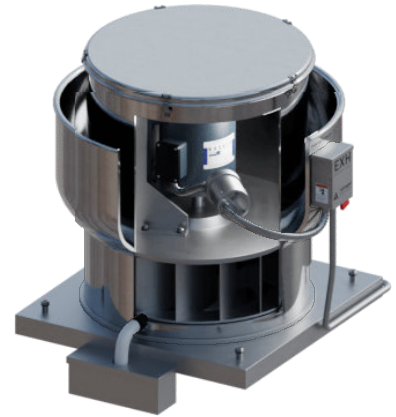
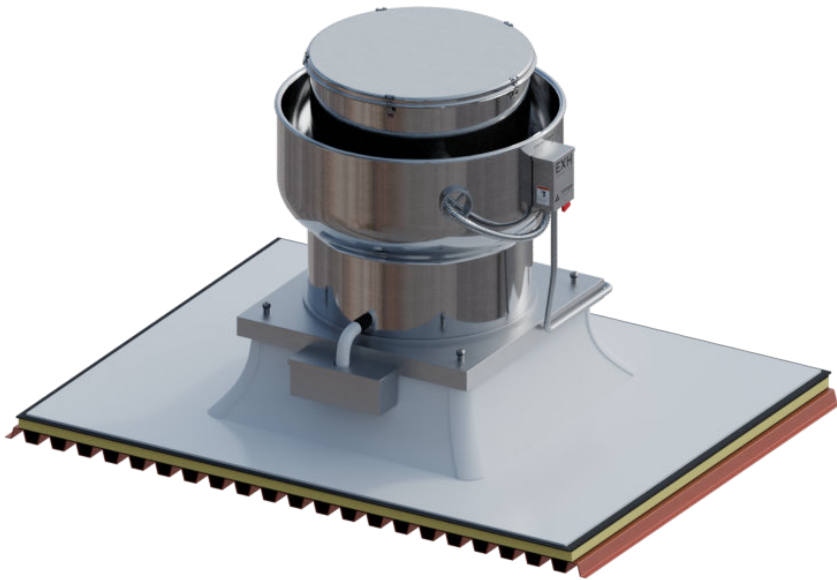
1 & 2 STAGE ELECTRIC HEAT STATES + ANALOG
1 & 2 STAGES OF SCR HEAT



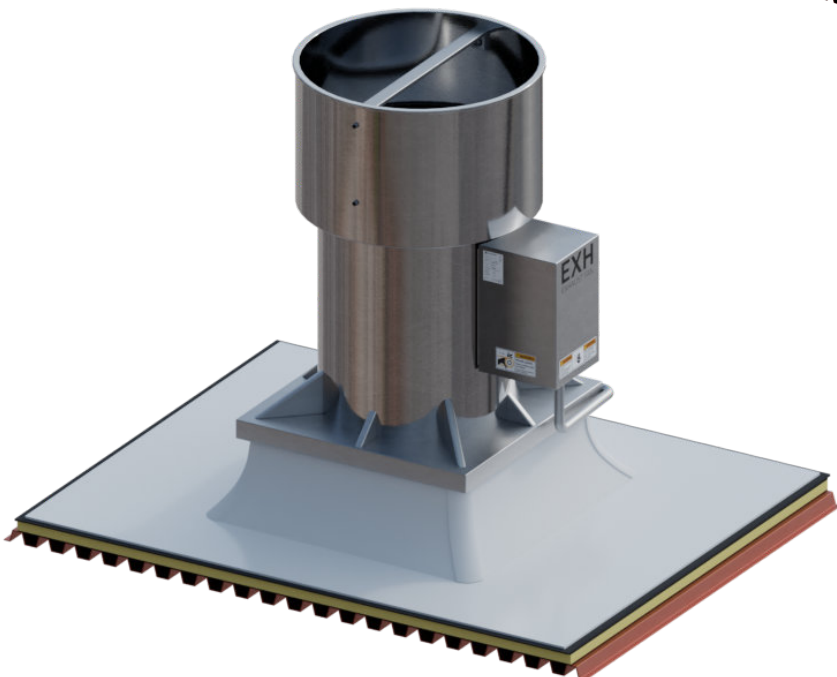
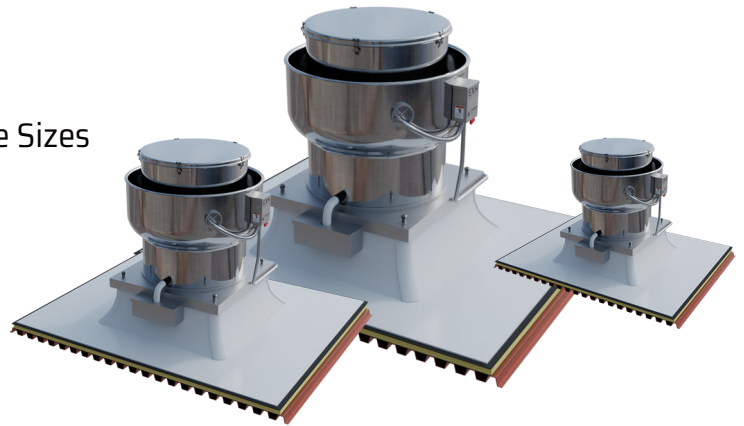
HOT WATER REHEAT CONFIGURATION

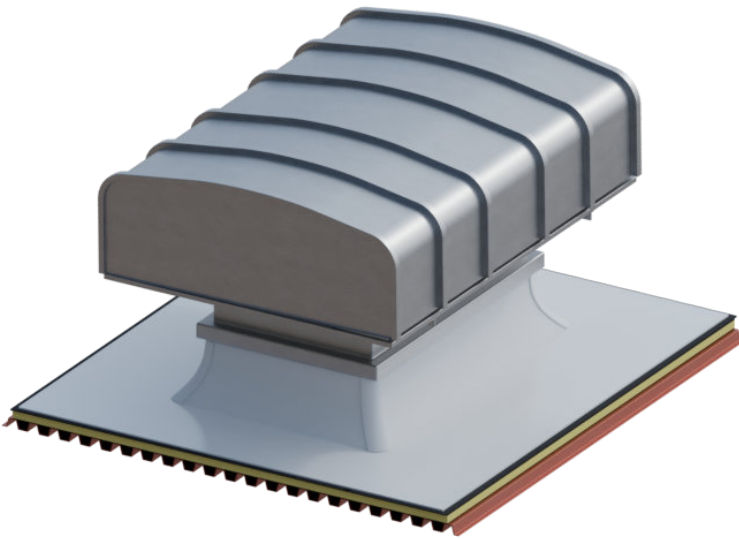
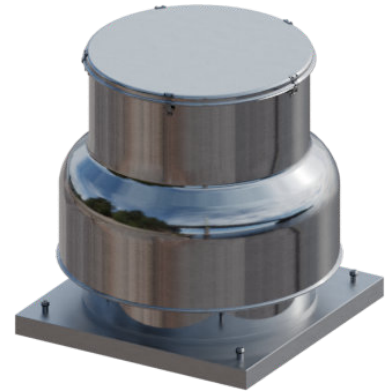
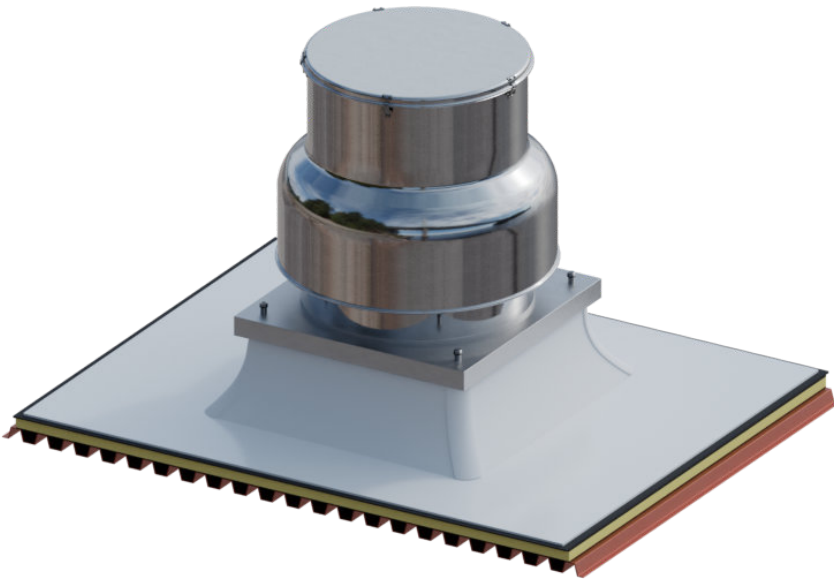
EMERGENCY PAN WATER STATE
CONDENSATE PUMP STATES



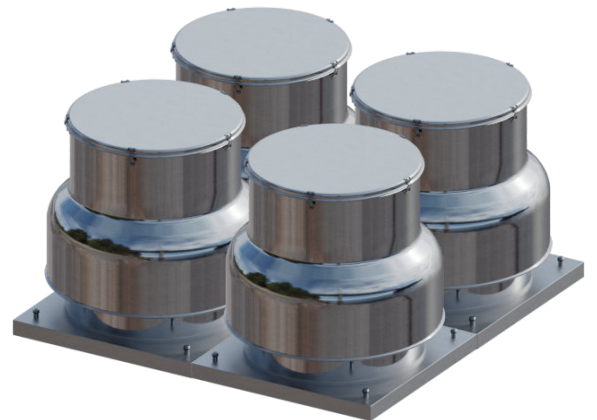


All exhaust fans in this library are 3 Different Image Sizes





Isometric version with no roof deck allows fans to be stacked





Fan with optional damper overlay

